



## J-SERIES JASMINE SWING ARM WALL LIGHT

SWA415

### FEATURES + BENEFITS

- Metal RLM shades are spun from heavy duty aluminum.
- Polyester powder coat finish provides color retention and scratch resistance.
- White powder coat shade interior for maximum light output.
- On/off rocker switch on backplate.
- UL Listed for Dry Location.
- Warranty: Limited 1 Year.
- Made in USA.



### SPECIFICATIONS

**Product Dimensions:**

Width 7", Shade Height 8", Depth 14", Overall Height 8.75", Canopy 4.5"W x 6"H

**Lamping:**

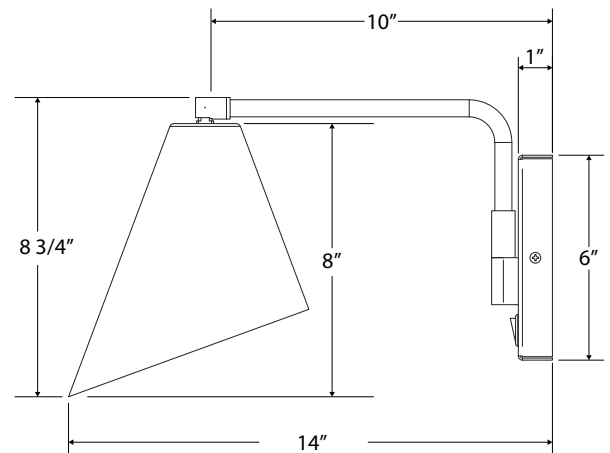
100W Medium Base per socket

**Options:**

- Finish: 91-Brushed Brass or 96-Brushed Nickel Hardware with choice of 40-Slate Gray, 41-Black, 44-White Gloss, 50-Navy, 51-Architectural Bronze
- Integrated LED: L10-8W, 800 Lumen, 95CRI, Adjustable CCT.

**Shipping:**

At Montclair Light Works we proudly manufacture, assemble, and ship your lamp within 3 weeks from our factory in Montclair CA.



JOB/LOCATION

QUANTITY

DATE

NOTES