



J-SERIES JILL PORTABLE SWING ARM WALL LIGHT

SWC417

FEATURES + BENEFITS

- Metal RLM shades are spun from heavy duty aluminum.
- Polyester powder coat finish provides color retention and scratch resistance.
- White powder coat shade interior for maximum light output.
- 8ft white cord with in-line switch included.
- UL Listed for Dry Location.
- Warranty: Limited 1 Year.
- Made in USA.



SPECIFICATIONS

Product Dimensions:

Width 6", Shade Height 6", Depth 24.75", Overall Height 19.375", Canopy 3"W x 6"H

Lamping:

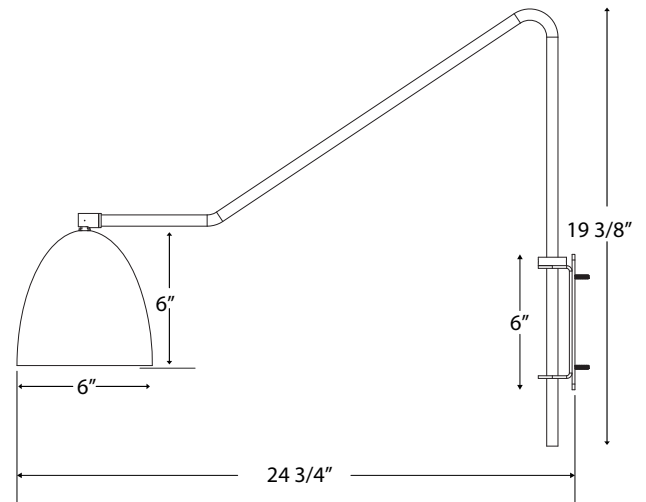
100W Medium Base per socket

Options:

- Finish: 16-Cream, 17-Ivory, 19-Terracotta, 20-Mauve, 21-Bright Yellow, 22-Fern Green, 40-Slate Gray, 41-Black, 42-Forest Green, 44-White Gloss, 48-Sea Green, 50-Navy, 51-Architectural Bronze, 54-Light Blue, 55-Barn Red
- Integrated LED: L10-8W, 800 Lumen, 95CRI, Adjustable CCT.

Shipping:

At Montclair Light Works we proudly manufacture, assemble, and ship your lamp within 3 weeks from our factory in Montclair CA.



JOB/LOCATION

QUANTITY

DATE

NOTES